

# bathOVISION

Installation manual



unique automation

# 1. Introduction

To make sure the bathovision™ TV works correctly and safely please follow this installation manual that will guide you through the installation process. Once correctly installed and sealed the bathovision™ will give you hours of luxury viewing. If you experience any difficulty with the installation please contact our customer services department who will be pleased to help.

## 2. Prepare the wall cavity cutout

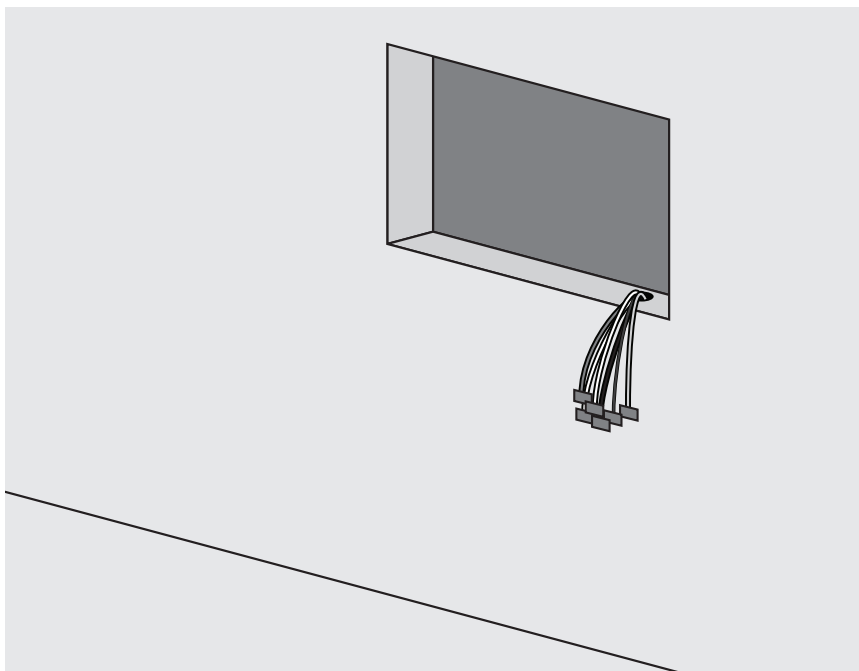


Figure 1.

Prepare a cavity cutout in the wall where you wish to install the television. The cavity cutout dimensions vary according to size of bathovision™ TV being installed and on the securing method chosen by the installer. Accurate wall cavity cutout dimensions are important

As a guidance only, the table below sets out the minimum and maximum dimensions of the cavity cutouts needed for the different bathovision™ models and the different vertical positions of the TV inside the cavity. Maximum height 1 refers to the installation where the device is vertically centred in the cavity, whereas maximum height 2 refers to the installation where the TV rests on the bottom of the cavity cutout. However, it is up to the installer to judge what installation method is suitable given the site conditions. A centrally mounted TV will require a suitable spacer to be provided by the installer to raise the base of the TV such that it is centralised in the cavity cutout.

bathovision TV model	minimum width [mm]	maximum width [mm]	minimum height [mm]	maximum height 1 [mm]	maximum height 2 [mm]	minimum depth [mm]
bathovision 23''	556	580	350	380	365	75
bathovision 26''	638	660	406	440	423	75
bathovision 32''	775	800	483	510	497	85
bathovision 40''	963	990	583	610	597	90
bathovision 46''	1094	1120	661	690	676	100

Table 1. Cavity cutout sizes

It is advisable that all the necessary cables to the TV, even those that are not needed at the moment but may be used in the future, are available and suitably prepared and fixed to the TV beforehand since there is no easy method of accessing the TV back after it has been installed.

Make sure that the cavity cutout space, including an aperture where cables are led through, is dry and well isolated from any source of humidity e.g. condensation, damp, running water, etc.

The area of the wall overlapped by bathovision's mirror should be well prepared to remove any loose material, thoroughly cleaned and dried making sure that there is no loose paint, wallpaper or any layer of material that could easily detach from the wall.

### 3. Prepare the mounting

The method of retaining the TV in the cavity cutout will depend entirely on the type of wall into which the TV is being installed, e.g. brick, concrete, plasterboard, steel, wood, etc. The installer should ensure that the bathovision™ is safely and securely retained in the cavity by following industry recommended best practice for fixing such devices, as applicable to the specific installation. Due consideration must be given to the prepared dimensions of the wall cavity. Do not exceed the dimensions shown.

**ATTENTION:** The installer must take special care to ensure that the TV has been safely and securely mounted within the cavity space and poses no risk for the user. Unique Automation cannot take responsibility for any damage or injury caused through improper installation of the product or due to the poor condition of the wall material.

### 4. Connect the cables and perform tests

Connect all the cables to the back of the TV. Make sure that they are all securely fixed and that the mounting process will not exert any tension on them or that they can be accidentally pulled out of their connections during the sealing process. Power the TV on and test all possible input and output connections before sealing the unit to the wall. Check the operation of the hand controller and the touch screen controls to the front right

of the mirror. Check the audio output to speakers. When satisfied that all connections have been made and secured and that the TV is operating correctly, the silicon sealant is ready to be applied to the rear of the mirror. At this point switch off the television and switch off the mains electricity supply to the television.

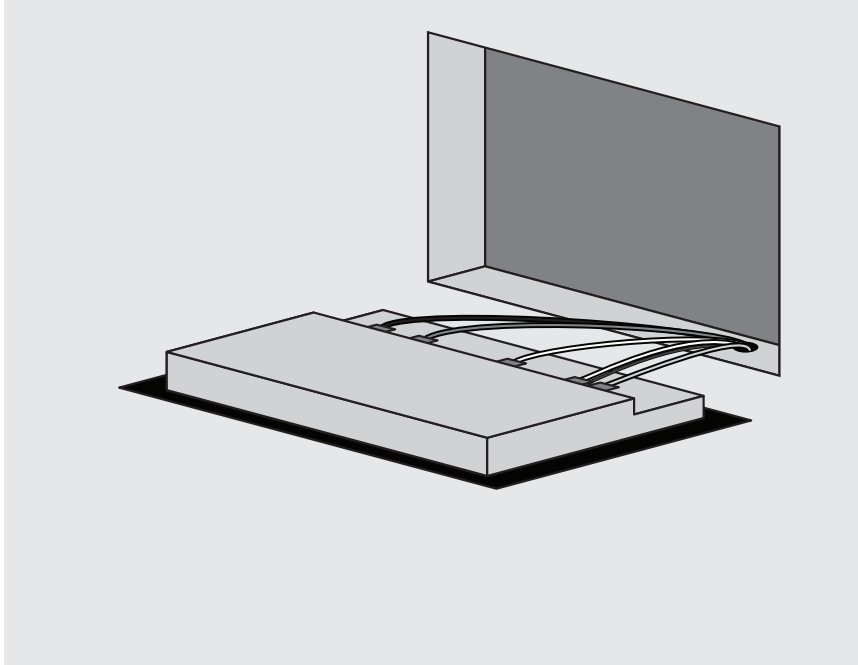


Figure 2.

## 5. Seal

It is recommended that a support for the mirror television is provided to enable ease of working. A bead of the special silicon sealant provided should be applied continuously around the rear surface of the mirror and close to the edge of the mirror. Use in accordance with the instructions on the sealant. It is important to provide sufficient silicon sealant to ensure a complete and continuous seal between the wall (or tiles) and rear of the mirror. The silicon sealant must fully protect the body of the television mounted on the rear of the mirror from water, steam or humidity of any kind.

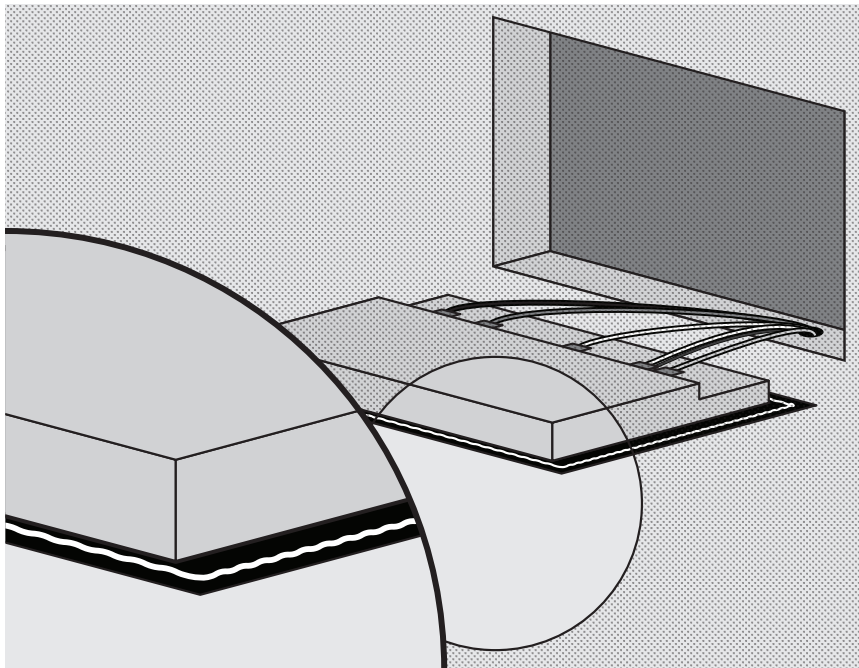


Figure 3.

## 6. Slide the TV into the cavity

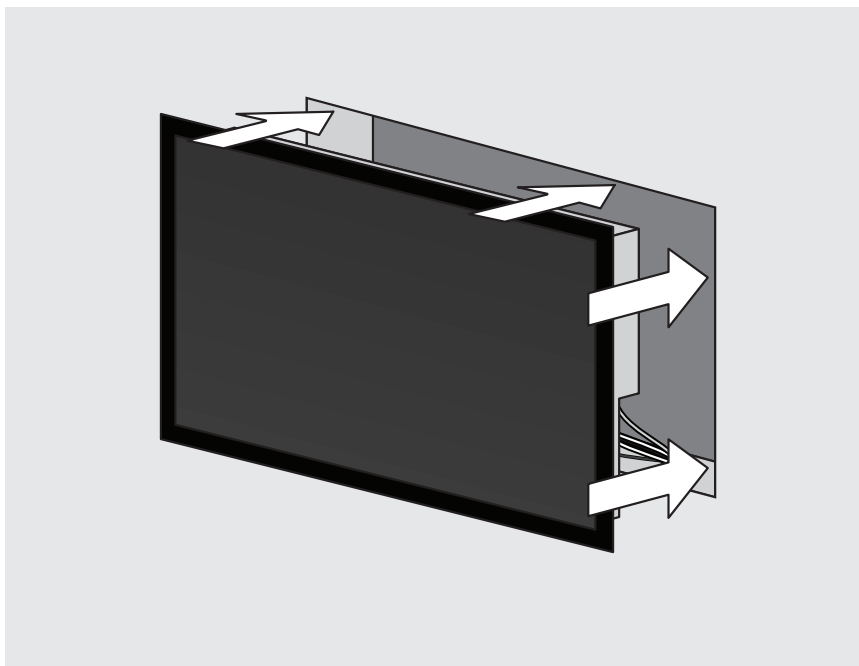


Figure 4.

If the TV is being mounted centrally in the wall cavity cutout the installer should pro-

vide a suitable spacer to raise the base of the TV such that it is centralised in the cavity cutout. Carefully present the TV to the cavity cutout and gently slide the TV into the recess. Make sure that all the cables are clear and free of the sides and top and base of the cutout. Push the TV home against the wall or tiles making sure that the sealant on the rear of the mirror is pressing against the wall and that a waterproof seal is achieved all round the rear of the mirror. Remove or smooth out any excess sealant around the edges of the mirror as soon as practical. Any minor gaps remaining may be filled with the sealant. A degree of limited pressure should be exerted on the front of the TV mirror whilst the sealant sets into position. The special silicon sealant supplied will retain a degree of flexibility when fully set. Maximum adhesion will be achieved after approx. 24 hours. Should you wish to remove the TV from the wall after the silicon sealant has set please contact the company for advice. Once sealed, never attempt to prise the TV off the wall.

## 7. Verify the connections

Switch on the mains electricity supply to the television and switch on the television. Test that the held controller is working correctly and that the touch screen controls are operating correctly. The bathovision™ is ready for the program set up procedure. (For the program set up procedure - see the bathovision™ operating manual).

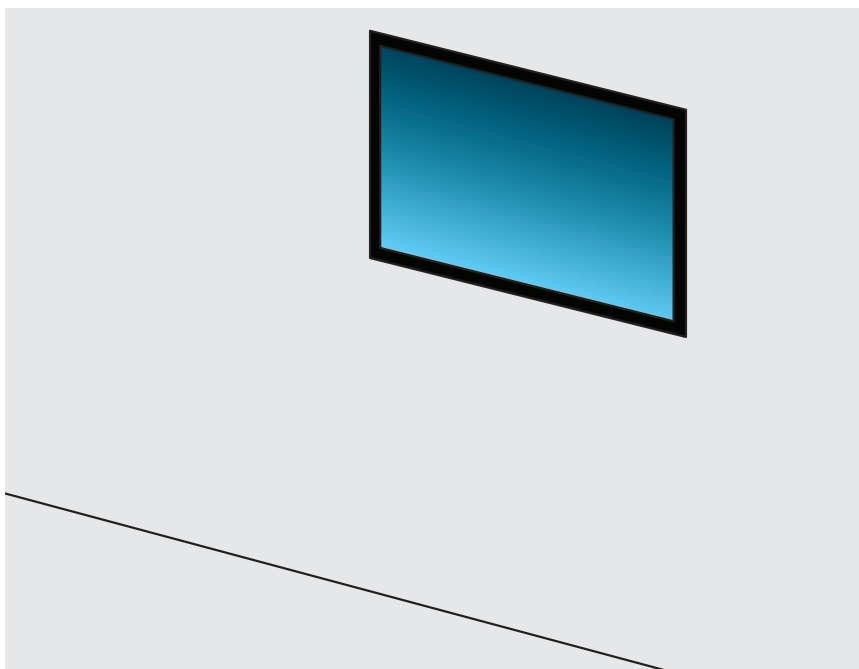


Figure 5.

## TV dimensions

bathovision TV model	mirror width	mirror height	back box width	back box height	back box depth	active screen width	active screen height	product ref.
23"	610	410	550	350	allow 75	509	286	LD-23B6LVH
26"	690	470	632	406	allow 75	576	324	LD-26S6LVH-2H
32"	830	540	769	483	allow 85	698	392	LD-32S6LVH-2H
40"	1020	640	957	583	allow 90	885	498	LD-40Q6LVH-2H
46"	1150	720	1088	661	allow 100	1018	573	LD-46Q6LVH-2H

Table 2. bathovision TV sizes (in mm)

As a result of our policy of continuous improvement, specifications and instructions may change without notice.

## unique automation

12 – 14 Orion Business Centre  
Surrey Canal Road  
London  
SE14 5RT

T: +44 (0) 20 7740 3910  
F: +44 (0) 20 7232 0972  
E: [info@bathovision.tv](mailto:info@bathovision.tv)

[www.bathovision.tv](http://www.bathovision.tv)