

MP3 look-alike interface for bathomatic®

now engraved or clarity

The new control adds another dimension to the visible part of the overflow/filler of the motorised waste/drain kit. Suitable for installation on any bath with standard overflow and works with all bathomatic models. Custom variations are available on request.

The overflow/filler lever provides three-state functionality: “empty”, “pause” and “fill”. When lever is in the extreme left position the bath plug is open and the water drains. Turning the lever into the extreme right position will fill the bath to the last used depth and temperature. At any time during filling or emptying bathomatic can be paused by moving the lever to the mid position.

As part of the bathomatic intelligence, if the filling process is paused with water in the bath and the lever later provokes filling, bathomatic will only deliver as much water as needed taking into account of water in the bath, compensating for any temperature loss during pausing and delivering perfect depth without overflowing.



12-14 Orion
Business Centre
Surrey Canal Road
London, SE14 5RT

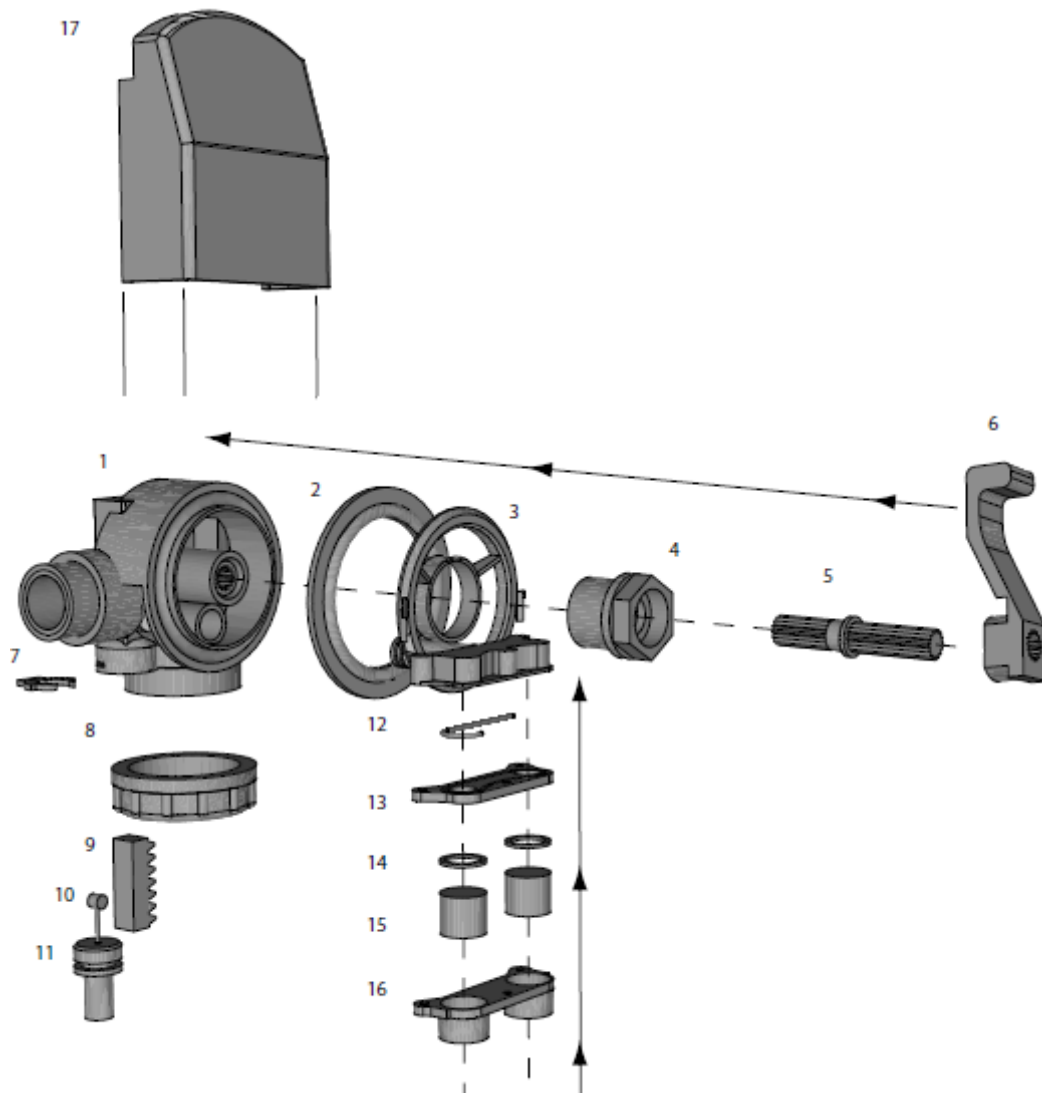
T: +44 (0) 20 7740
3910
F: +44 (0) 20 7232
0972

www.uniqueautomation.co.uk

This new development originally designed for Alzheimer sufferers simplifies the human interface with bathomatic and opens the door for bath automation to the mobility and hospitality industries. This simple interface can be used together with all other bathomatic interfaces and adds simplicity to any project.

As with all other overflow/filler finish sets, the new device is made from solid brass, hand polished to perfection and plated in chrome or nickel, also available in stainless steel.

Installation Diagram:



12-14 Orion
Business Centre
Surrey Canal Road
London, SE14 5RT

T: +44 (0) 20 7740
3910
F: +44 (0) 20 7232
0972

www.uniqueautomat
ion.co.uk