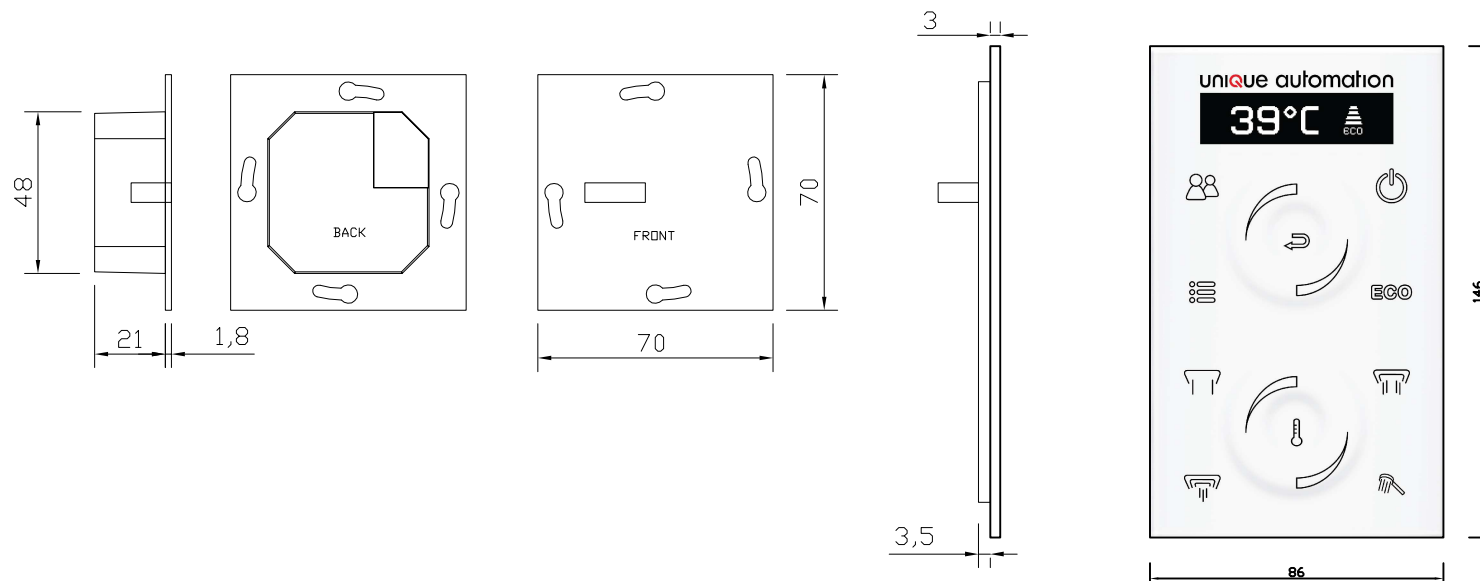


iShower master controller - CU-001-01 (system's master controller)

- Electrical - Power supply regulated - 12V, 1A
- Communication - to SDM-001-xx via proprietary 4 core (straight) terminated with RG11, 5 metres supplied
- to SUI-001-01-xx (up to two per system) via CAT5 (straight) , 3 metres supplied
- to automation systems special cable terminate with RJ45
- to LAN via CAT5

iShower digital mixer SDM-001-xx

- Plumbing - 15mm (push fit)
- Electrical - Power supply regulated - 240V, 15W
- Communication - to CU-001-01 via proprietary 4 core (straight) terminated with RG11, 5 metres supplied
- multiple BDMs are daisy chained with 4 core cable terminated with RG11 connectors



Shower User Interface (87mm x 146mm) SUI-001-01-*

- All glass, plain white or black standard, with other colours and patterns available
- Fits in standard 2G UK steel back box
- Connects to b0m-001-01 via CAT5, 3 metres supplied
- Needs to be installed within the shower area
- Up to two SUI can be connected to one iShower

Itemref	Quantity	Title/Name, designation, material, dimension etc	Article No./Reference		
Designed by PV	Checked by FV	Approved by - date FV - 15/03/10	File name	Date	Scale N/A

The copyright of this drawing is held by Unique Automation and/or Fredy Vasilev. None of the designs, concepts or layouts shown may be used or disclosed to person/organisation without the written permission of Unique Automation or Fredy Vasilev. All dimensions are to be checked/agreed prior to commencement of any work by a contractor & any discrepancies reported to the designer immediately. DO NOT SCALE.

iShower component dims

iShower component dimension	Edition 1	Sheet 1/1
------------------------------------	--------------	--------------